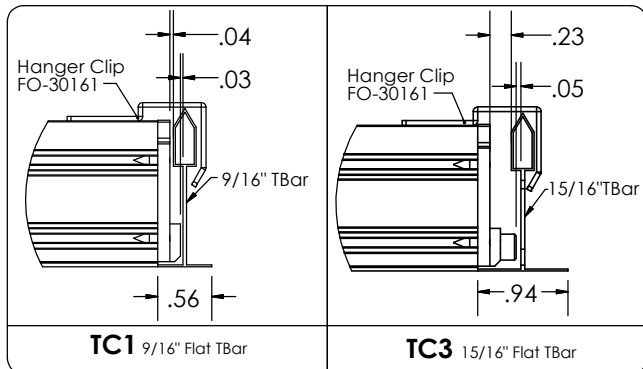
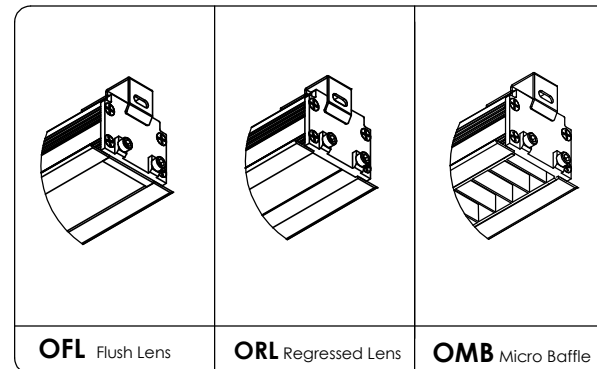


### Mounting Type



### Optic



NOTES



SERIES  
GRID

PRODUCT NAME  
GRIDSlot1.5

TYPE  
Recessed

MOUNTING  
TC1 | TC3

LENGTH  
STD-DIS

PRODUCT CODE  
GSL1.5-R-S

**FLEX**  
**GRID**

DWG NUMBER  
GSL1.5-R-S-Prod-Tech

MASTER ASSEMBLY  
FOA02-24497

DATE  
01/09/2025

SCALE  
1:12

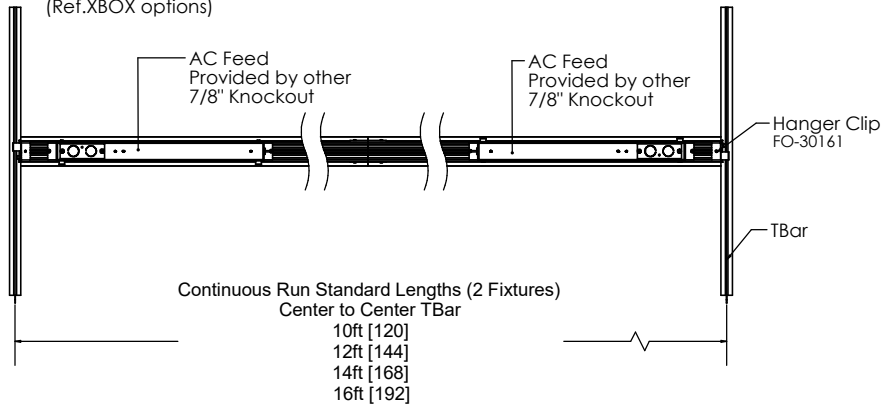
Sheet 1 OF 3

REV  
A

19 WHEELING AVENUE | WOBURN, MA 01080 | FLEXGRID.COM

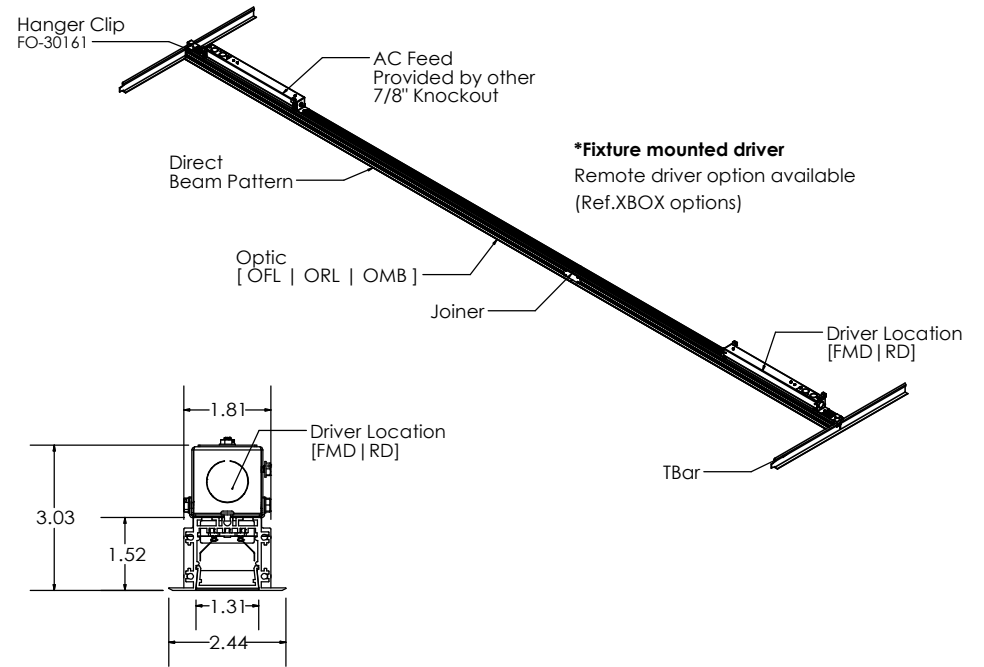
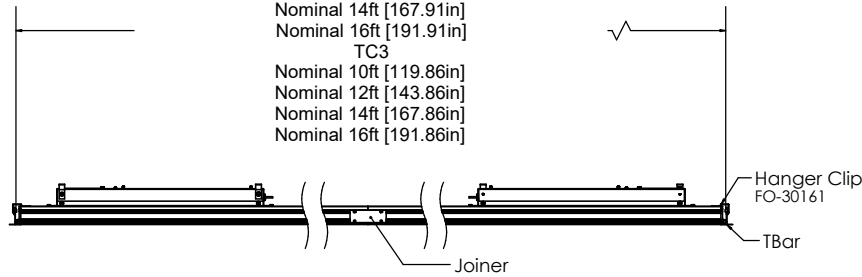
**\*Fixture mounted driver**

Remote driver option available  
(Ref.XBOX options)

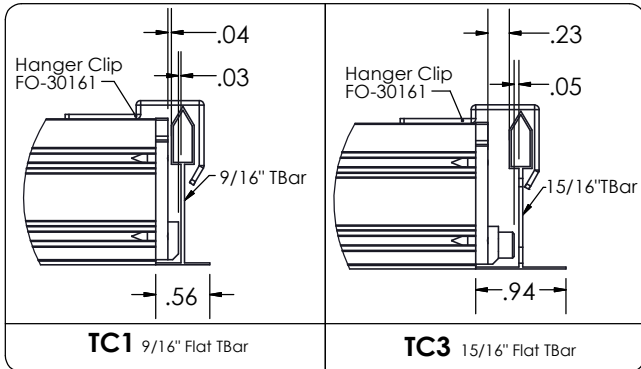


**Continuous Run Standard Fixture Lengths with End Caps**

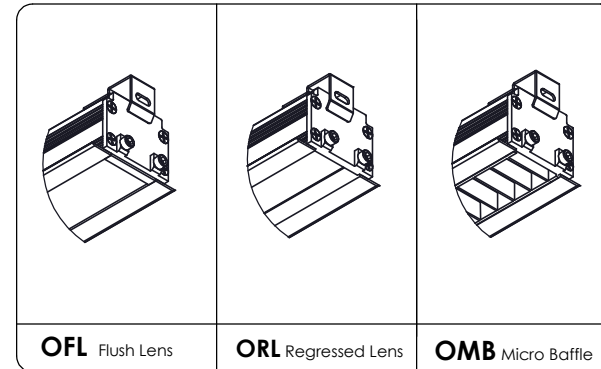
- TC1 & GT2
- Nominal 10ft [119.91in]
- Nominal 12ft [143.91in]
- Nominal 14ft [167.91in]
- Nominal 16ft [191.91in]
- TC3
- Nominal 10ft [119.86in]
- Nominal 12ft [143.86in]
- Nominal 14ft [167.86in]
- Nominal 16ft [191.86in]



**Mounting Type**



**Optic**



**NOTES**

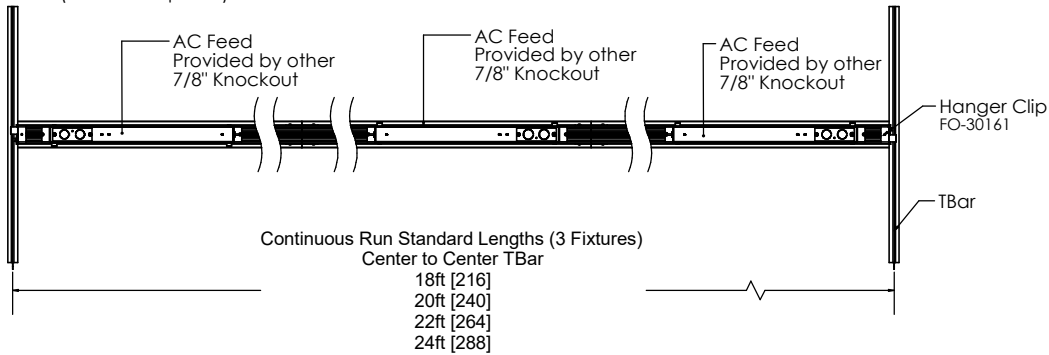


<b>SERIES</b> GRID	<b>PRODUCT NAME</b> GRIDSlot1.5	<b>TYPE</b> Recessed	<b>MOUNTING</b> TC1   TC3	<b>LENGTH</b> STD-RUN	<b>PRODUCT CODE</b> GSL1.5-R-S	<b>FLEX GRID</b>
<b>DWG NUMBER</b> GSL1.5-R-S-Prod-Tech	<b>MASTER ASSEMBLY</b> FOA02-25647	<b>DATE</b> 01/09/2025	<b>SCALE</b> 1:12	<b>Sheet 2 OF 3</b>	<b>REV</b> A	

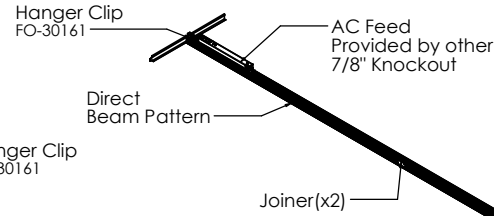
19 WHEELING AVENUE | WOBURN, MA 010801 | FLEXGRID.COM

**\*Fixture mounted driver**

Remote driver option available  
(Ref.XBOX options)

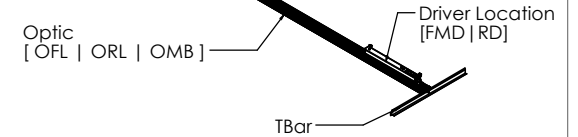


Continuous Run Standard Lengths (3 Fixtures)  
Center to Center TBar  
18ft [216]  
20ft [240]  
22ft [264]  
24ft [288]



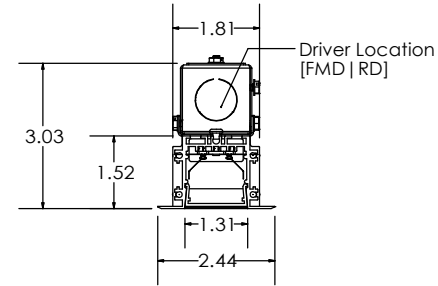
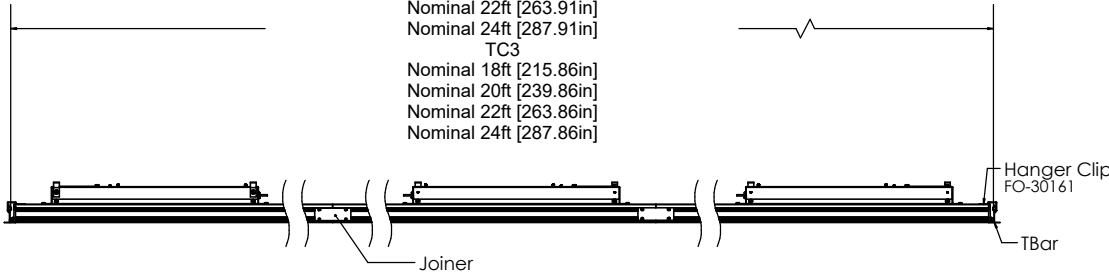
**\*Fixture mounted driver**

Remote driver option available  
(Ref.XBOX options)

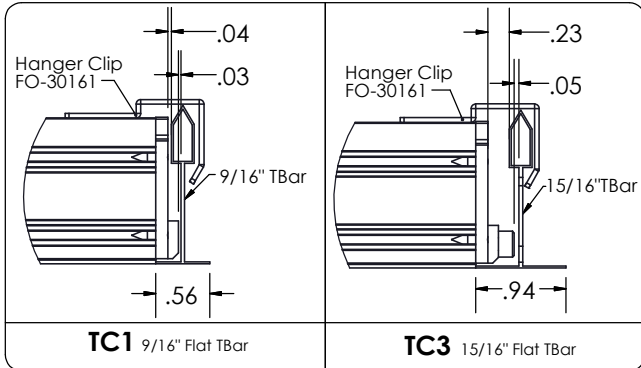


Continuous Run Standard Fixture Lengths with End Caps

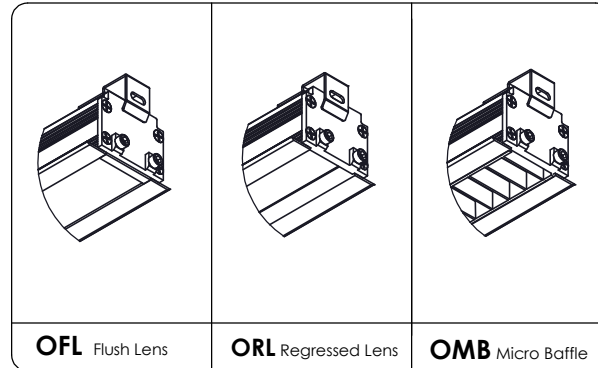
TC1  
Nominal 18ft [215.91in]  
Nominal 20ft [239.91in]  
Nominal 22ft [263.91in]  
Nominal 24ft [287.91in]  
TC3  
Nominal 18ft [215.86in]  
Nominal 20ft [239.86in]  
Nominal 22ft [263.86in]  
Nominal 24ft [287.86in]



**Mounting Type**



**Optic**



NOTES



SERIES GRID	PRODUCT NAME GRIDSlot1.5	TYPE Recessed	MOUNTING TC1   TC3	LENGTH STD-RUN	PRODUCT CODE GSL1.5-R-S	
DWG NUMBER GSL1.5-R-S-Prod-Tech	MASTER ASSEMBLY FOA02-25647	DATE 01/09/2025	SCALE 1:12	Sheet 3 OF 3	REV A	

19 WHEELING AVENUE | WOBURN, MA 010801 | FLEXGRID.COM