




Integral Driver



GRIDSlot1.5

GRIDSlot Series

Warnings

-  Risk of fire and electrical shock
-  Turn off power at breaker
-  Installation requires knowledge of electrical systems and should be installed by a qualified electrician. If not qualified, **DO NOT ATTEMPT INSTALLATION.**

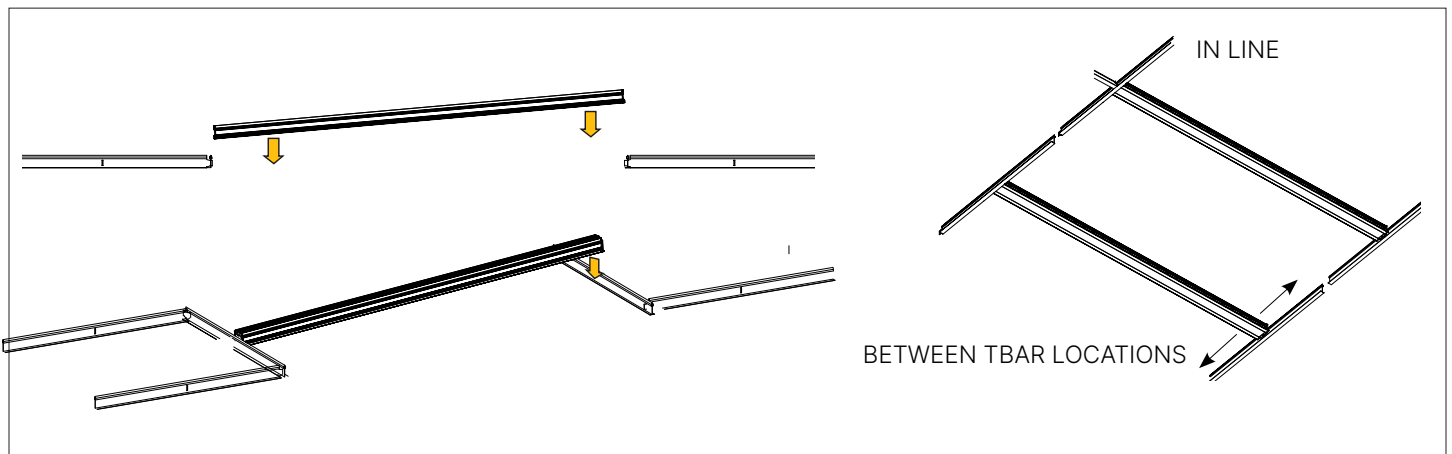
Care Instructions

-  Wipe with a soft cloth only
-  Always avoid using harsh chemicals and/or cleaners

Proceed to Page 4 for GRIDSlot TBar Additional Suspension Instructions

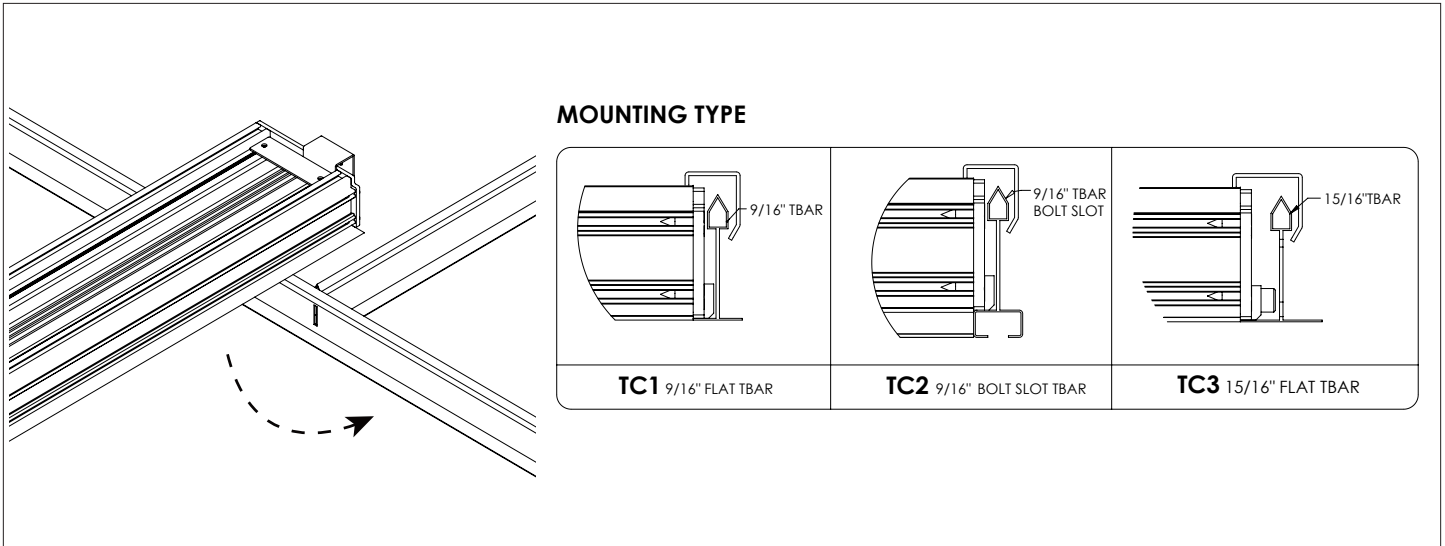
STEP 1 — Fixture Location

Once the grid structure has been installed, engage the GRIDSlot fixture into the desired location. Insert one end of the fixture at an angle and then the opposite end. The fixture body will fit between the T-Bar openings and the endcap will sit on the T-Bar flange.



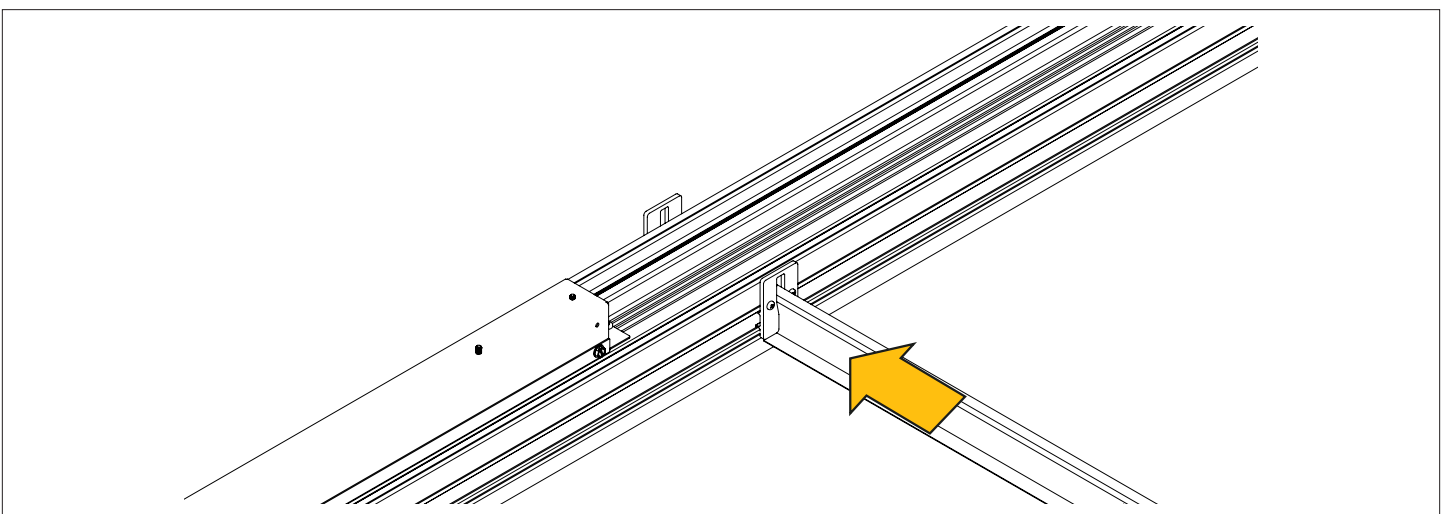
STEP 2 — T-Bar and Fixture Interaction

The GRIDSlot fixture can be installed in line, replacing a T-Bar or freely between T-Bar locations. When installing in line, you may be required to fold over the T-Bar fin, to allow clearance for the end cap. Place the endcap on top of the T-Bar flange.



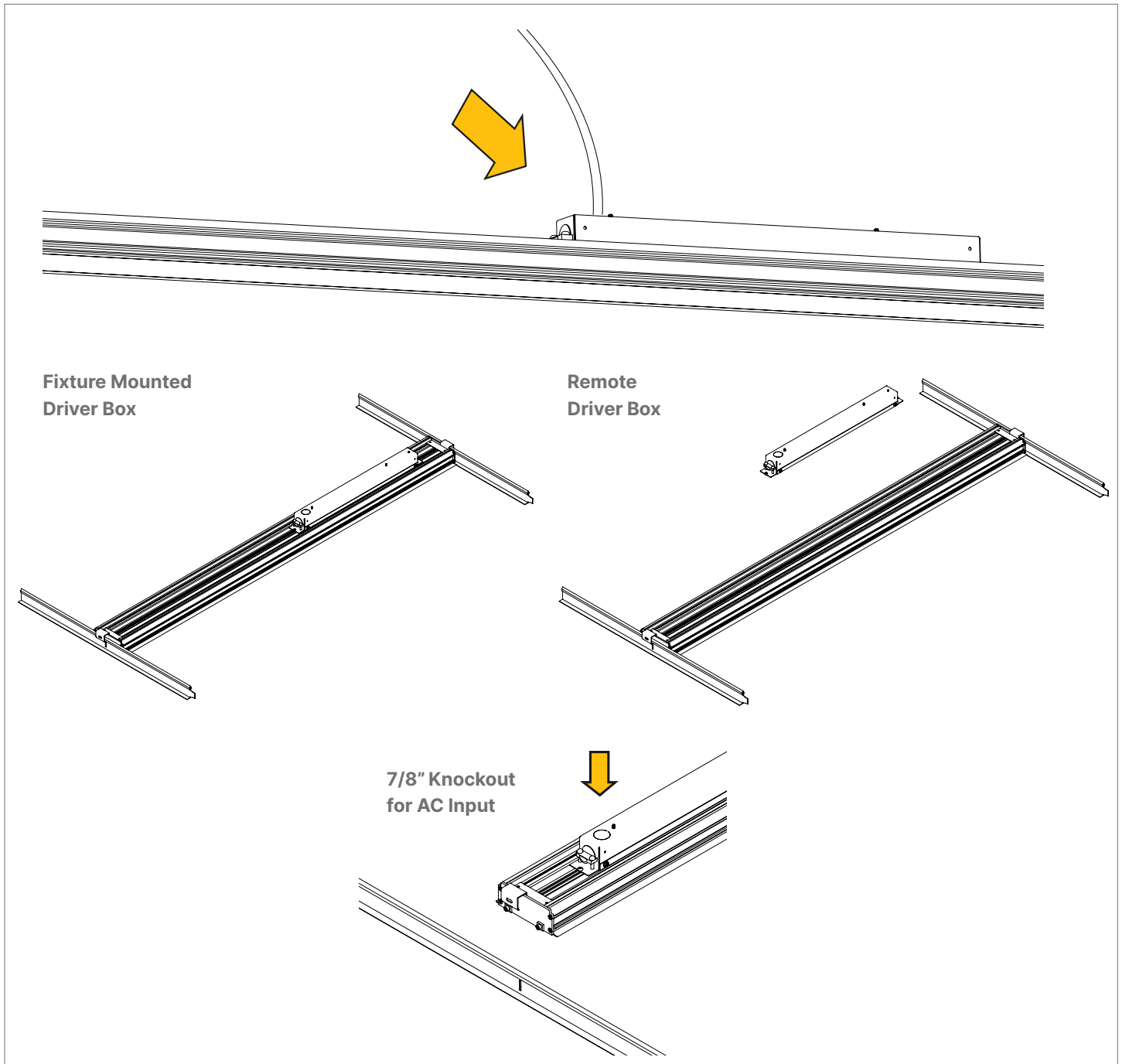
STEP 3 — T-Bar Fins

If purchased, T-Bar fins are included and can be installed anywhere along the GRIDSlot fixture body to receive a T-Bar that runs perpendicular to the fixture.



STEP 4 — Install Driver Box

An enclosed Driver Box is provided which is either fastened to the top of the fixture housing or installed remotely. Connect the fixture's Driver Box wires to the power source. Refer to the wiring diagram. Add structural supports as needed.

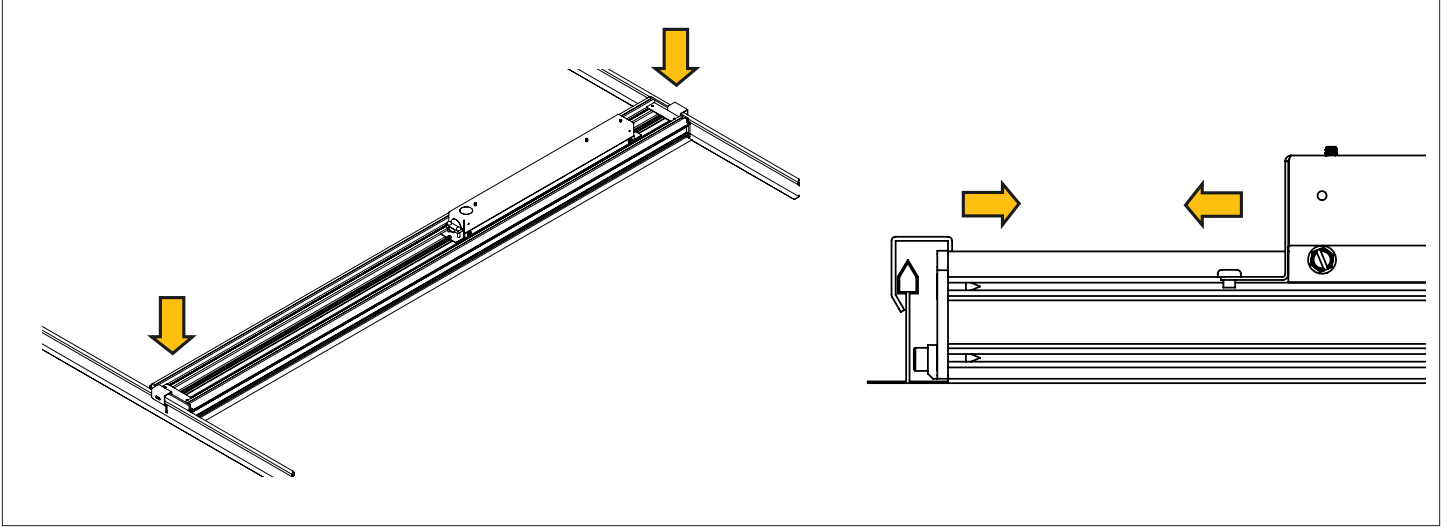


Additional Suspension

STEP 1 — Locate Suspension Point

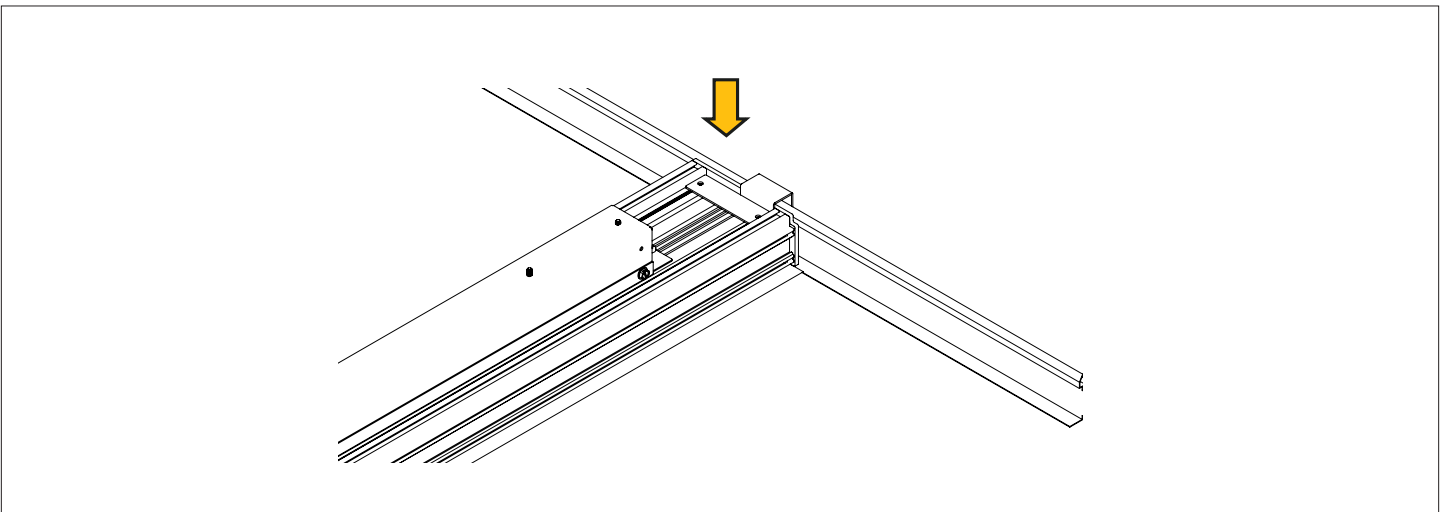
Eyebolt suspension points are included with the fixture and pre-installed on the top surface. If loosened, the bolts can slide along the top surface and can be repositioned to your desired suspension location.

*Suspension material is not provided, but can be purchased separately.



STEP 2 — Attach Cable / Hanger Wire

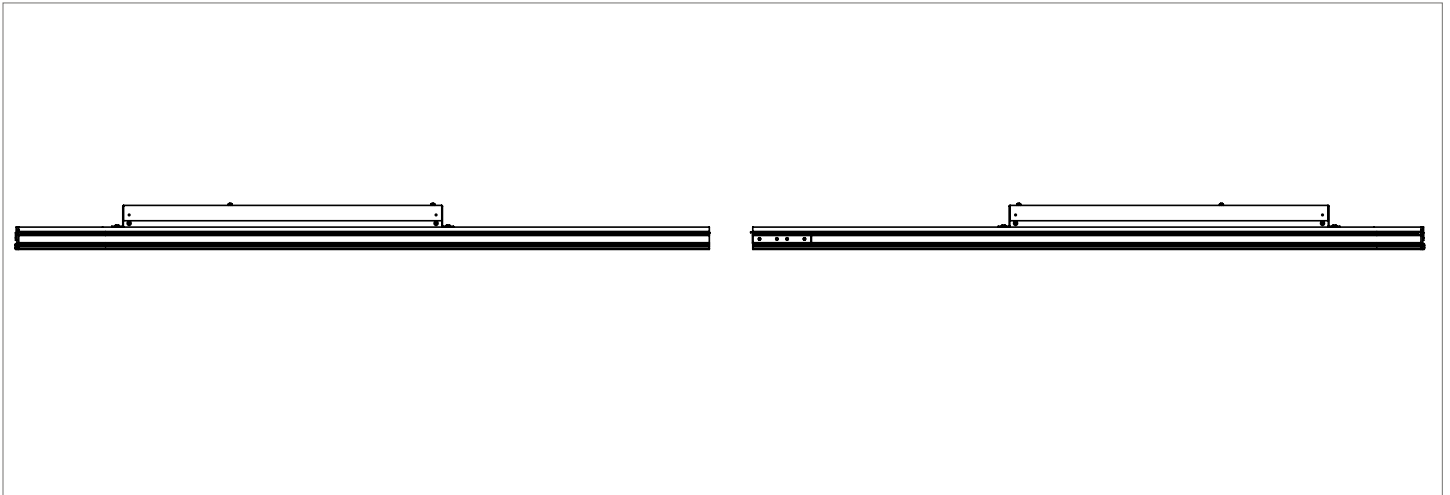
An Aircraft Cable, Hanger Wire, Chain, etc can be fastened to the Eyebolt. Use the proper source material for the installation surface. Repeat on the opposite side.



Continuous Run

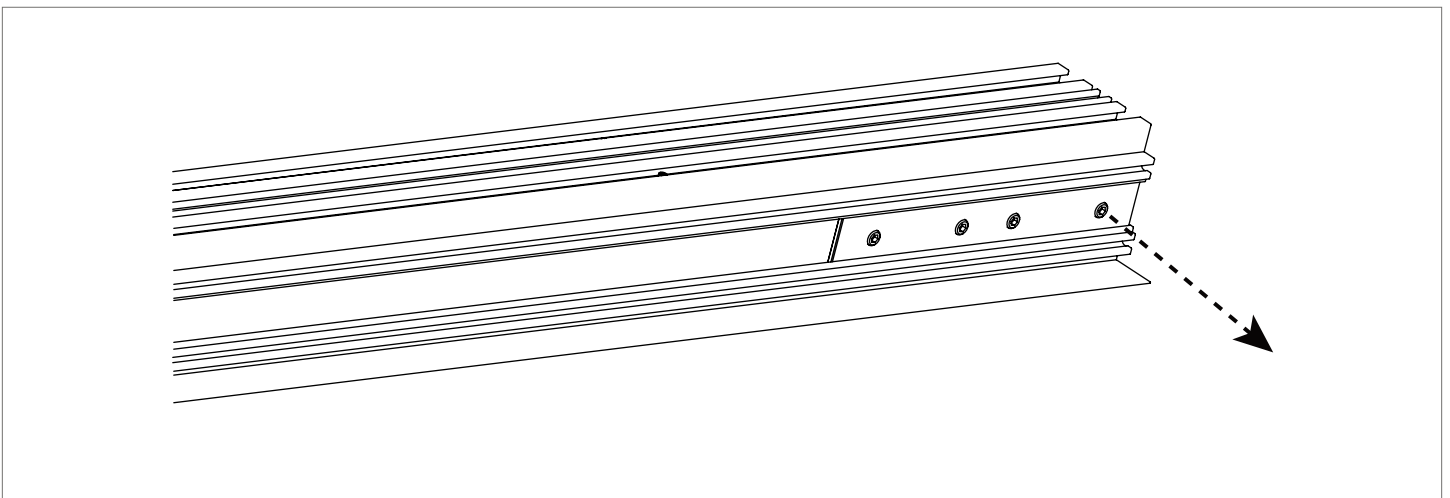
STEP 1 — Connecting Fixtures

Place the 2 GRIDSlot fixtures on a flat and clean surface with the open ends facing each other. The joiner bracket will be pre-installed in one of the fixtures.



STEP 2 — Loosen Joiner Bracket

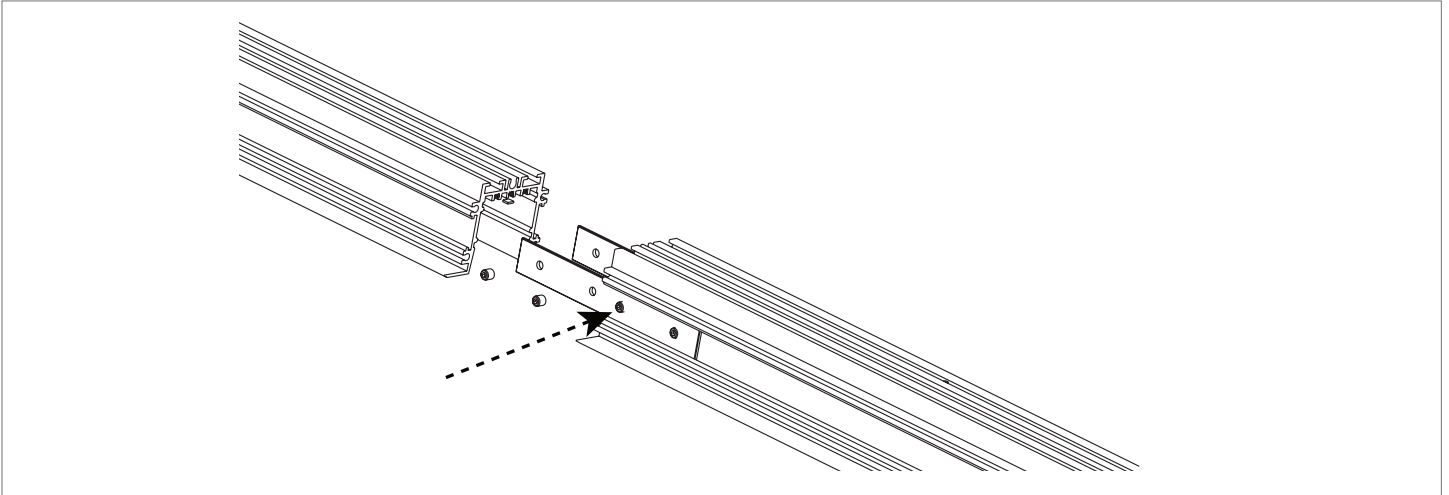
It may be required to loosen a screw to free up the Joiner Bracket.



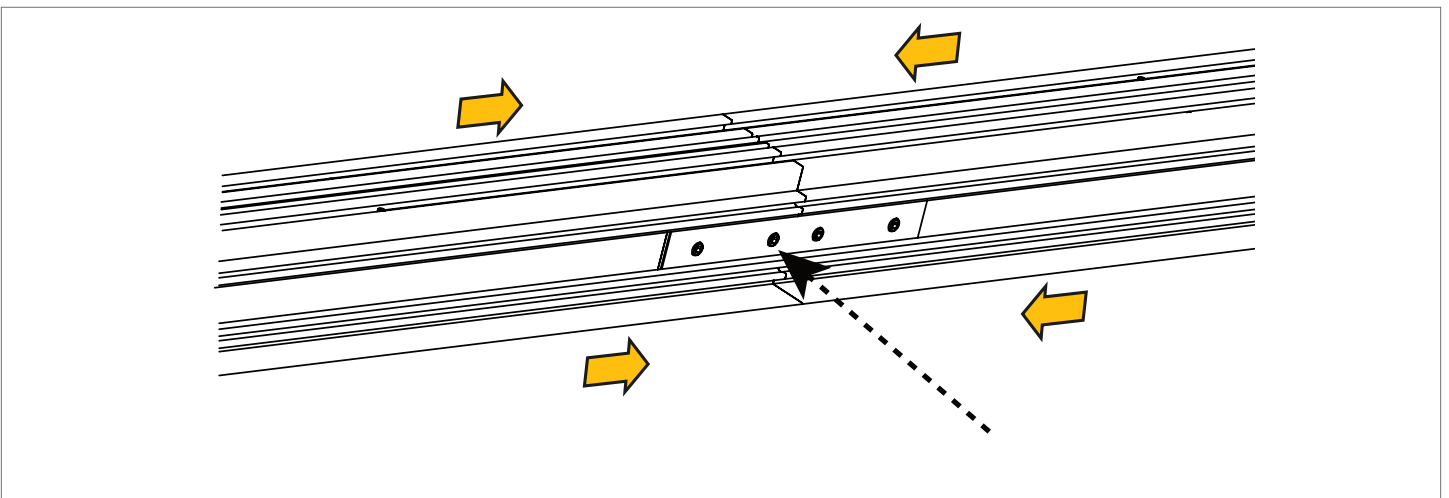
Continuous Run

STEP 3 — Secure the Joiner Bracket

Center the Joiner Bracket between the 2 GRIDSlot fixtures. Secure one side of the joiner to the fixture housing.

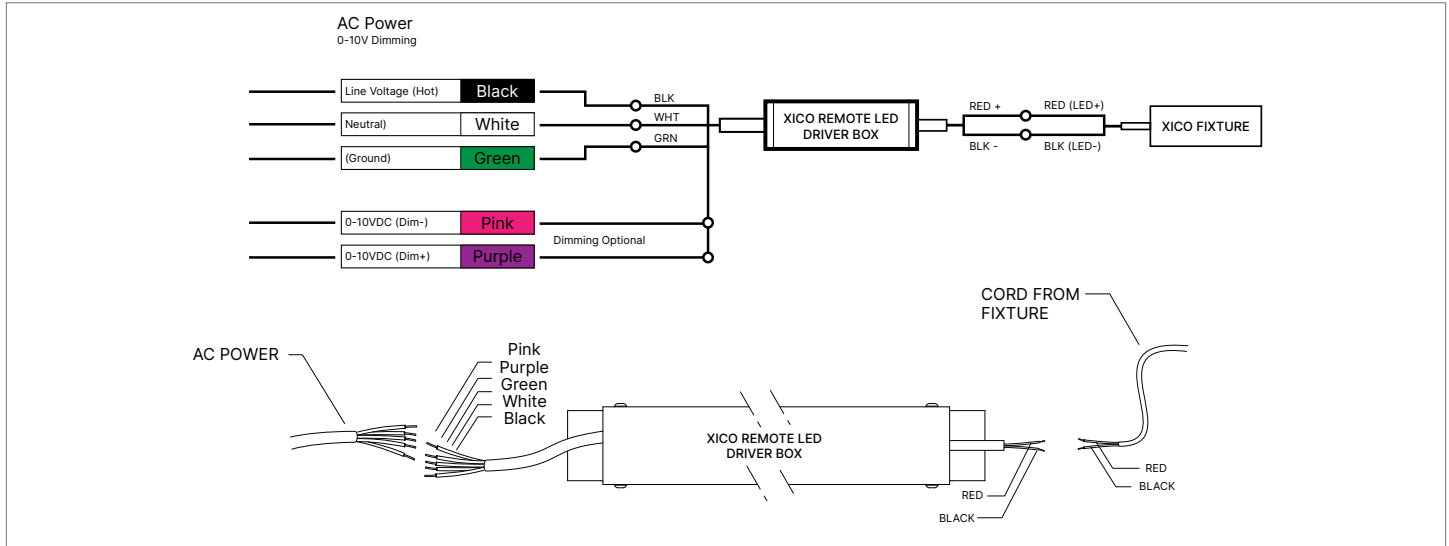
**STEP 4 — Joining Fixtures**

Pull the GRIDSlot fixtures together and tighten the remaining screws.



Wiring Guide

Wire the Power Feed End to the J-Box.



Voltage Drop

24 VDC and Wire Length Chart (Driver to Fixture)

FlexGrid LED Fixture with Remote Drivers

When installing a FlexGrid fixture with a remote driver and the distance is a long way from the fixture, it is important to properly specify the correct wire gauge (AWG/ or thickness of wire) for the distance of wire required. The maximum remote mounting distance is a function of the total voltage-drop across the output of the LED Driver.

How to Use the Chart

Step 1: Calculate the total wattage of the LED lighting system (round up to the nearest 10 W).

Step 2: Find the wattage in the top row and follow the column down to maximum length (round up) of wiring between the LEDs and the power supply.

Step 3: Look to the left column for the wire gauge size required to prevent voltage drop over 3%.

Maximum Cable Length from Remote Driver to Fixture — 24 VDC Driver										
Wire Gauge	Total Fixture Wattage (W)									
	10 W	20 W	30 W	40 W	50 W	60 W	70 W	80 W	90 W	100 W
18 AWG	134 ft	68 ft	45 ft	33 ft	27 ft	22 ft	19 ft	17 ft	15 ft	14 ft
16 AWG	215 ft	109 ft	72 ft	54 ft	43 ft	36 ft	31 ft	27 ft	24 ft	22 ft
14 AWG	345 ft	174 ft	115 ft	86 ft	69 ft	57 ft	49 ft	43 ft	39 ft	36 ft
12 AWG	539 ft	272 ft	181 ft	135 ft	108 ft	90 ft	77 ft	68 ft	62 ft	56 ft
10 AWG	784 ft	397 ft	263 ft	197 ft	158 ft	131 ft	112 ft	98 ft	95 ft	82 ft

Remote Driver to Fixture Example

Calculate total load

An 8 ft fixture using 4 W/ft requires a total of 32 W. Round up to the nearest load of 40 W.

Find distance from driver to Load

Let's assume the distance is 40 ft from the driver to the fixture. Round up to the nearest distance of 54 ft.

Choose wire gauge

It's recommended to install 16 AWG wire between the driver and fixture to eliminate noticeable voltage drop.

